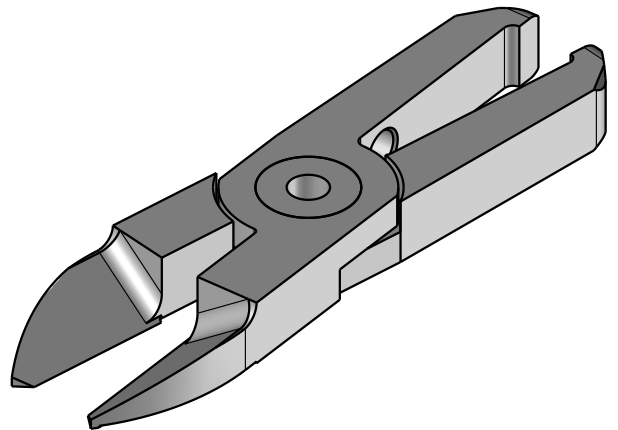
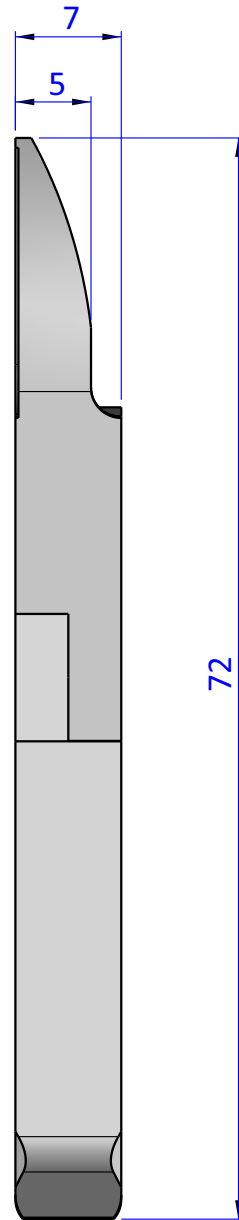
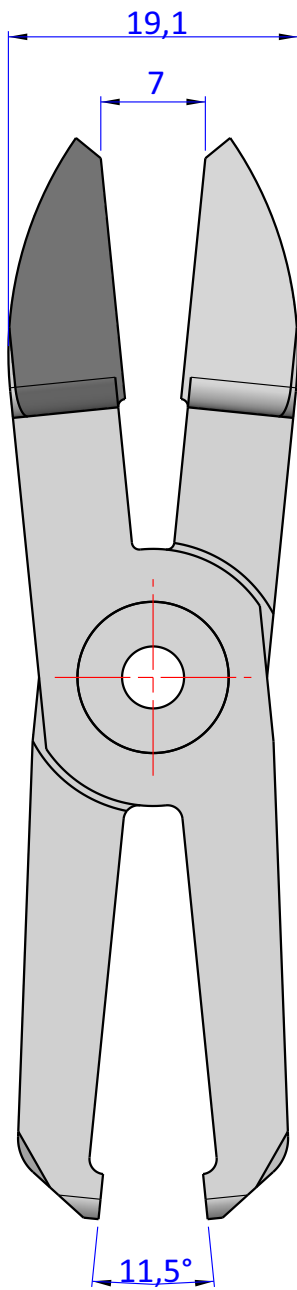


THE PROPERTY OF THE DRAWING IS ESTABLISHED BY LAW. IT IS FORBIDDEN TO PRODUCE OR SHOW IT TO THIRD PART, WITHOUT A WRITTEN AGREEMENT.



DESIGNED FROM		REVIEW
FPS Automation		A
DATE	WEIGHT	
23/10/2020	0,039kg	
CODE		
VES.NT05AJL		

Format A4	GENERAL TOLERANCE	DESCRIPTION
UNI 936-76	UNI - ISO 2768 CLASSE f	VES.NT05AJL